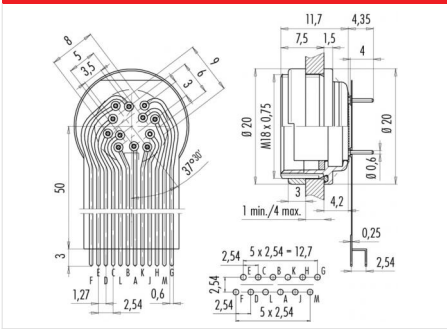


Product	<b>Contacts: 12, female panel mount connector with flexible plate, screwed from front, gold plated contacts, double-row</b>
Area	<b>M16 IP67 Series 423/ 723/ 425</b>
Article number	<b>09 0132 66 12</b>

**Illustration**



**Scale drawing**



**Contact Arrangement**

	X	Y
A	-0,44	-3,45
B	2,29	-3,61
C	4,10	-1,21
D	3,20	1,34
E	2,71	3,59
F	0,41	3,45
G	-2,29	3,61
H	-4,10	1,21
J	-3,20	-1,34
K	-2,71	-3,59
L	-2,00	-1,51
M	-2,00	1,51

You can find the assembly instruction on the next page.

**Technical data**

**General features**

Connector Design	female panel mount connector
Connector locking system	bolted
Termination	dip-solder
Wire gauge (mm)	-
Wire gauge (AWG)	-
Upper temperature	95 °C
Lower temperature	-40 °C

**Electrical parameters**

Rated voltage	60 V
Rated impulse voltage	500 V
Pollution degree	1
Overvoltage category	I
Material group	III
Rated current (40°C)	3 A
Volume resistivity	≤ 3 mΩ
EMV compliance	shielded
Degree of protection	IP67

**Material**

Material of contact	CuSn (Bronze)
Contact plating	Au (gold)
Material of contact body	PBT (UL 94 V-0)

Product **Contacts: 12, female panel mount connector with flexible plate, screwed from front, gold plated contacts, double-row**

Area **M16 IP67 Series 423/ 723/ 425**  
Article number **09 0132 66 12**

Installation instructions / Mounting cutout

