

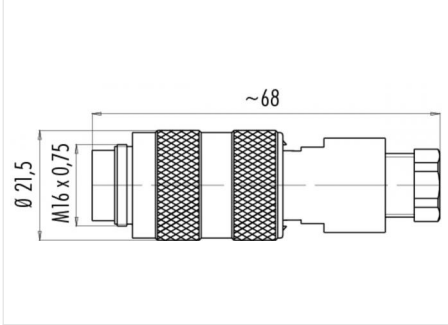
Product **Contacts: 12, cable plug connector, cable outlet 4 - 6 mm, gold plated contacts**

Area **M16 IP67 Series 723**
 Article number **09 0129 25 12**

Illustration



Scale drawing



Contact Arrangement

	X	Y
A	0,44	-3,45
B	-2,29	-3,61
C	-4,10	-1,21
D	-3,20	1,34
E	-2,71	3,59
F	-0,41	3,45
G	2,29	3,61
H	4,10	1,21
J	3,20	-1,34
K	2,71	-3,59
L	-2,00	-1,51
M	2,00	1,51

You can find the item description on the next page.

Technical data

General features

Connector Design	Cable Connector
Connector locking system	bolted
Termination	solder
Wire gauge (mm)	0,25 mm ²
Wire gauge (AWG)	24
Cable outlet	4 – 6 mm
Upper temperature	95 °C
Lower temperature	-40 °C

Electrical parameters

Rated voltage	60 V
Rated impulse voltage	500 V
Pollution degree	1
Overvoltage category	I
Material group	III
Rated current (40°C)	3 A
Volume resistivity	≤ 3 mΩ
EMV compliance	not shielded
Degree of protection	IP67

Material

Material of contact	CuZn (Messing)
Contact plating	Au (gold)
Material of contact body	PBT (UL 94 V-0)

Product **Contacts: 12, cable plug connector, cable outlet 4 - 6 mm, gold plated contacts**

Area **M16 IP67 Series 723**
Article number **09 0129 25 12**

Item description

