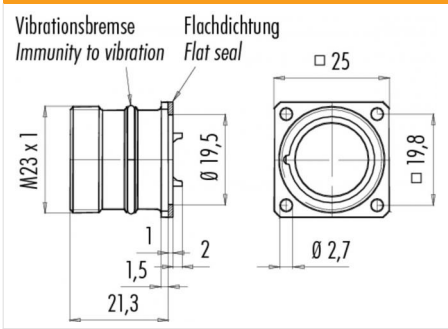


Product	Polzahl: 19, Flanschstecker, Frontmontage, rechtsdrehend
Area	M23 Power Series 623
Article number	99 4633 00 19

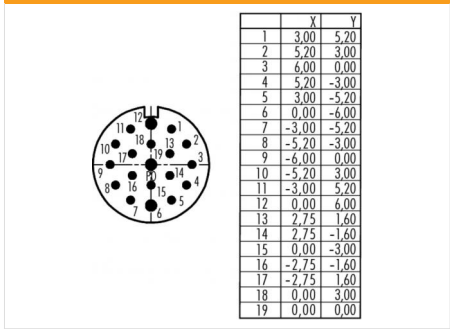
Illustration



Scale drawing



Contact Arrangement



Technical data

General features

Connector Design	male panel mount connector
Connector locking system	bolted
Termination	solder
Wire gauge (mm)	16x1,0/ 3x1,5 mm ²
Wire gauge (AWG)	16x18/ 3x16
Cable outlet	-
Upper temperature	125 °C
Lower temperature	-20 °C

Electrical parameters

Rated voltage	150 V
Rated impulse voltage	1500 V
Pollution degree	3
Overvoltage category	II
Material group	III
Rated current (40°C)	16x8 A / 3x10 A
Volume resistivity	≤ 3 mΩ
EMV compliance	not shielded
Degree of protection	IP67
Mechanical operation	> 50 Mating cycles

Material

Material of contact	CuZn (Messing)
Contact plating	Au (gold)
Material of contact body	PBT/PA66