

General Specifications

Motor Structure: Shaded Pole Induction Motor
 Motor Protection: Impedance Protection
 Insulation Resistance:
 10M Ω or over with a DC500V Megger
 Dielectric Withstand Voltage: AC 700V 1s
 Allowable Ambient Temperature Range:
 -10°C ~ +70°C (Operating)
 -40°C ~ +70°C (Storage)
 (non-condensing environment)

Expected Life

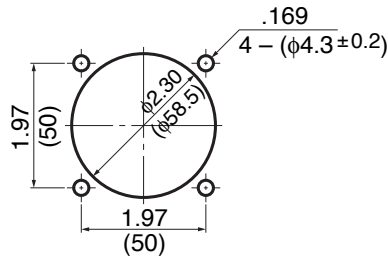
Failure Rate: 10%
 25°C 100,000 Hours

Material

Casing : Aluminum Black Painting
 Impeller : Plastic (Black) UL94V-0
 Bearing : Ball Bearing
 Lead Wire : UL3266, AWG22

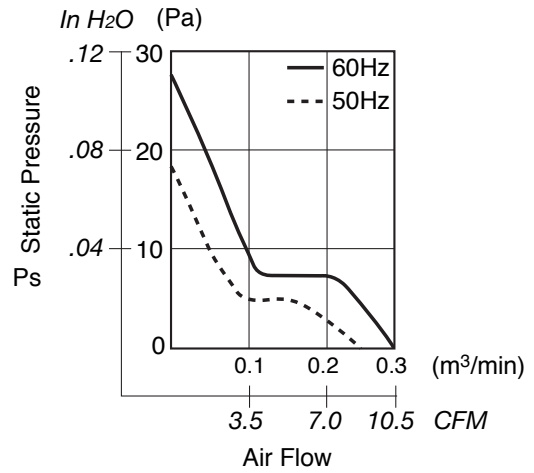
Panel Cut-Outs

Units: $\frac{\text{inch}}{\text{(mm)}}$

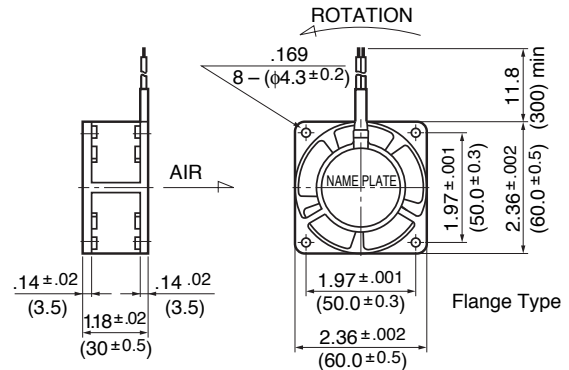


INLET SIDE / OUTLET SIDE

Characteristic Curves



Outline



Specifications

MODEL	LEGACY P/N	Rated Voltage	Frequency	Starting Voltage	Current	Input Power	Speed	Max. Air Flow		Max. Static Pressure		Noise	Mass
		(V)	(Hz)	(V)	(A) ^{*1}	(W) ^{+10% -20%}	(min ⁻¹) ²	CFM ^{*1}	(m ³ /min) ²	in H ₂ O	(Pa) ²	(dB) ²	(g)
06030PB-A0L-AA-00	2412PS-10W-B30-B00	100	50	65	0.080	6.0	2000	7.0	0.20	0.05	13.7	28	140
		100	60	65	0.070	5.0	2600	9.1	0.26	0.09	22.6	29	140
06030PB-A1L-AA-00	2412PS-12W-B30-A00	115	50	65	0.070	4.5	2000	7.0	0.20	0.05	13.7	28	140
		115	60	65	0.060	4.0	2600	9.1	0.26	0.09	22.6	29	140

Rotation: Counterclockwise

Airflow Outlet: Air out over struts

*1: Maximum Values in Free Air

*2: Average Values in Free Air

*3: Minimum Values in Free Air