

SPECIFICATIONS

RoHS Compliant

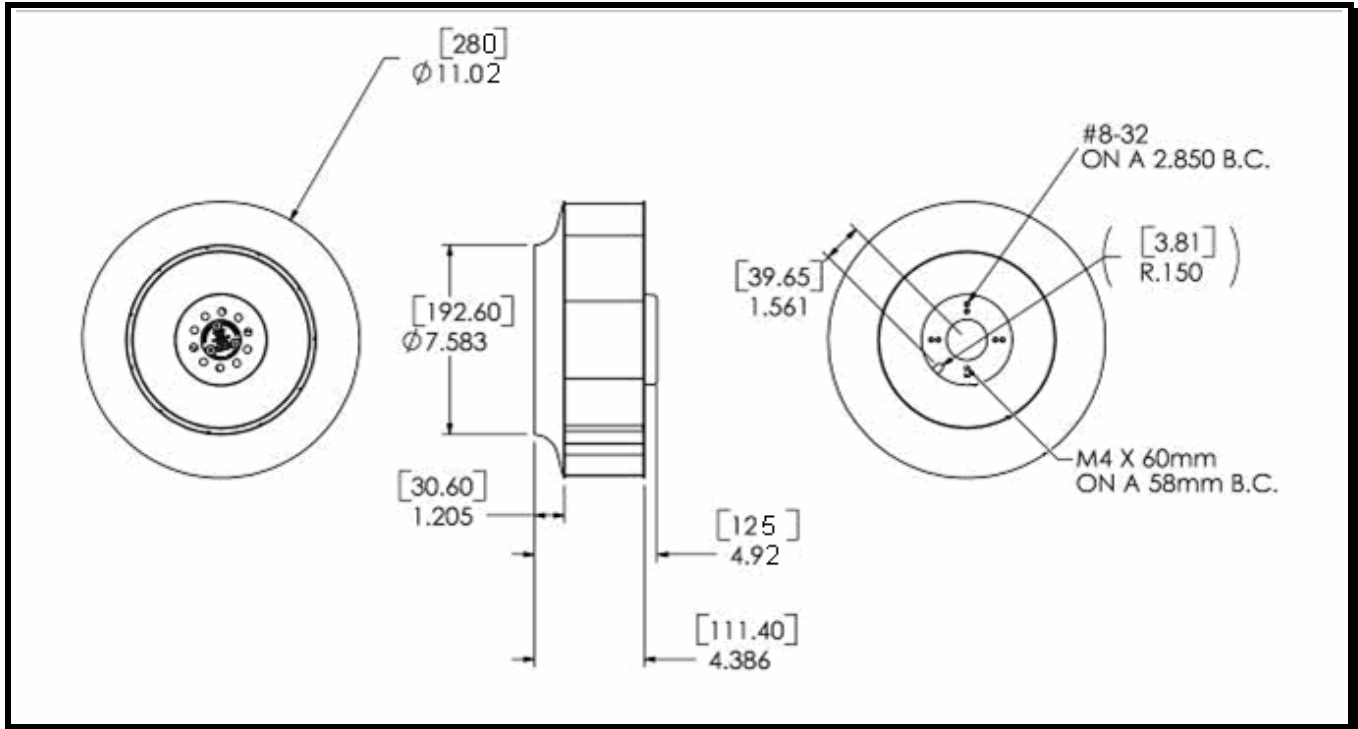


Model Number: DDE114924K1E

Part Number: 040962 SPEC NO. 26010391A

August 26, 2011

Mechanical Drawing:



Motor:

Nominal Voltage	= 24 VDC
Operating Voltage Range	= 18 - 32 VDC
Nominal Running Current	= 5.2 amps
Locked Rotor Current	= 7.5 amps
Running Power	= 125 watts
Average Speed	= 1900 RPM
Bearings	= Ball
Air Flow	= 1050 CFM
Static Pressure	= 1.7 (in/H ₂ O)
Acoustic	= 78 dBA

Construction:

Motor Base: Die Cast Aluminum
Propeller: Sheet Metal, Galvanized

Agency Approvals:

UL,cUL

Life Expectancy:

40,000 hrs @ 50°C

Additional Features:

Brushless DC Motor
Electronic Locked Rotor Protection
Polarity Protected
Automatic Restart Capability
Operating Temperature: -25°C to 70°C
Storage Temperature: -40°C to 85°C

Tachometer Specifications:

Output: Open Collector
Ic: 10 mA. Max
Vcc: 32 VDC Max
Pulses per Revolution: 3
Isolated: No

Programmable Speed Control

Method : PWM
Amplitude: 0-10VDC
Frequency: 200-20KHz

Termination:

18" Harness, fan base edge / tip of connector,
Ld wire: UL 1007, 20AWG
Connector: Molex 39-01-2040
Terminals: Molex 39-00-0059
Red - Power (+)
Black - Return (-)
Blue/White - Tachometer (Output)
Yellow - Speed Control (Input)



Comair Rotron Specification Sheet

Fan performance

