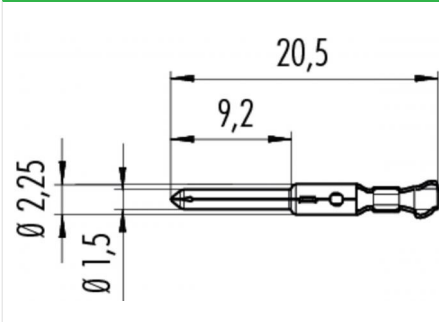


Product description **Male contact, set of 10,000, strip**
 Order number **65 0795 085 10**

Illustration



Scale drawing



Technical data

Contact diameter	1,5 mm
Insulation Diameter	1,0 - 2,0 mm
Contact material	CuSn (Bronze)
Contact plating	Ag (Silber)
Wire gauge (mm)	0,35 - 0,5 mm ²
Crimp measurement	0,93 - 1,1 mm
Crimping force	DIN EN 60352-2: 53 N
Packaging Unit	10000 Stk.

Matching products

- 09 0133 70 02 - Male angled connector, cable outlet 4-6 mm, plastic model
- 09 0133 79 02 - Male angled connector, cable outlet 4-6 mm, plastic model
- 09 0135 70 03 - Male angled connector, cable outlet 4-6 mm, plastic model
- 09 0135 79 03 - Male angled connector, cable outlet 4-6 mm, plastic model
- 09 0137 70 04 - Male angled connector, cable outlet 4-6 mm, plastic model
- 09 0137 79 04 - Male angled connector, cable outlet 4-6 mm, plastic model
- 09 0139 70 05 - Male angled connector, cable outlet 4-6 mm, plastic model
- 09 0139 79 05 - Male angled connector, cable outlet 4-6 mm, plastic model
- 09 0141 70 05 - Male angled connector, cable outlet 4-6 mm, plastic model
- 09 0141 79 05 - Male angled connector, cable outlet 4-6 mm, plastic model
- 09 0143 70 06 - Male angled connector, cable outlet 4-6 mm, plastic model
- 09 0143 79 06 - Male angled connector, cable outlet 4-6 mm, plastic model
- 09 0145 70 07 - Male angled connector, cable outlet 4-6 mm, plastic model
- 09 0145 79 07 - Male angled connector, cable outlet 4-6 mm, plastic model
- 09 0177 70 07 - Male angled connector, cable outlet 4-6 mm, plastic model
- 09 0153 70 08 - Male angled connector, cable outlet 4-6 mm, plastic model
- 09 0153 79 08 - Male angled connector, cable outlet 4-6 mm, plastic model
- 09 0147 70 12 - Male angled connector, cable outlet 4-6 mm, plastic model
- 09 0161 70 14 - Male angled connector, cable outlet 4-6 mm, plastic model
- 09 0185 70 16 - Male angled connector, cable outlet 4-6 mm, plastic model
- 09 0163 70 19 - Male angled connector, cable outlet 4-6 mm, plastic model
- 09 0134 70 02 - Female angled connector, cable outlet 4-6 mm, plastic model
- 09 0136 70 03 - Female angled connector, cable outlet 4-6 mm, plastic model
- 09 0136 79 03 - Female angled connector, cable outlet 4-6 mm, plastic model
- 09 0138 70 04 - Female angled connector, cable outlet 4-6 mm, plastic model
- 09 0138 79 04 - Female angled connector, cable outlet 4-6 mm, plastic model
- 09 0140 70 05 - Female angled connector, cable outlet 4-6 mm, plastic model

Product description **Male contact, set of 10,000, strip**

Order number **65 0795 085 10**

09 0140 79 05 - Female angled connector, cable outlet 4-6 mm, plastic model
 09 0142 70 05 - Female angled connector, cable outlet 4-6 mm, plastic model
 09 0142 79 05 - Female angled connector, cable outlet 4-6 mm, plastic model
 09 0144 70 06 - Female angled connector, cable outlet 4-6 mm, plastic model
 09 0144 79 06 - Female angled connector, cable outlet 4-6 mm, plastic model
 09 0146 70 07 - Female angled connector, cable outlet 4-6 mm, plastic model
 09 0146 79 07 - Female angled connector, cable outlet 4-6 mm, plastic model
 09 0178 70 07 - Female angled connector, cable outlet 4-6 mm, plastic model
 09 0154 70 08 - Female angled connector, cable outlet 4-6 mm, plastic model
 09 0154 79 08 - Female angled connector, cable outlet 4-6 mm, plastic model
 09 0148 70 12 - Female angled connector, cable outlet 4-6 mm, plastic model
 09 0162 70 14 - Female angled connector, cable outlet 4-6 mm, plastic model
 09 0186 70 16 - Female angled connector, cable outlet 4-6 mm, plastic model
 09 0164 70 19 - Female angled connector, cable outlet 4-6 mm, plastic model
 - Female cable connector, cable outlet 4-6 mm
 - Male panel mount connector, crimp
 99 2009 700 04 - Cable plug connector with cable clamp, CRIMP connection, shieldable, cable outlet 4 - 6 mm
 99 2013 700 05 - Cable plug connector with cable clamp, CRIMP connection, shieldable, cable outlet 4 - 6 mm
 99 2021 700 06 - Cable plug connector with cable clamp, CRIMP connection, shieldable, cable outlet 4 - 6 mm
 99 2025 700 07 - Cable plug connector with cable clamp, CRIMP connection, shieldable, cable outlet 4 - 6 mm
 99 2061 700 08 - Cable plug connector with cable clamp, CRIMP connection, shieldable, cable outlet 4 - 6 mm
 99 2009 702 04 - Cable plug connector with cable clamp, CRIMP connection, shieldable, cable outlet 6 - 8 mm
 99 2013 702 05 - Cable plug connector with cable clamp, CRIMP connection, shieldable, cable outlet 6 - 8 mm
 99 2021 702 06 - Cable plug connector with cable clamp, CRIMP connection, shieldable, cable outlet 6 - 8 mm
 99 2025 702 07 - Cable plug connector with cable clamp, CRIMP connection, shieldable, cable outlet 6 - 8 mm
 99 2061 702 08 - Cable plug connector with cable clamp, CRIMP connection, shieldable, cable outlet 6 - 8 mm
 99 2010 700 04 - Female cable connector with cable clamp, CRIMP connection, shieldable, cable outlet 4 - 6 mm
 99 2014 700 05 - Female cable connector with cable clamp, CRIMP connection, shieldable, cable outlet 4 - 6 mm
 99 2022 700 06 - Female cable connector with cable clamp, CRIMP connection, shieldable, cable outlet 4 - 6 mm
 99 2026 700 07 - Female cable connector with cable clamp, CRIMP connection, shieldable, cable outlet 4 - 6 mm
 99 2062 700 08 - Female cable connector with cable clamp, CRIMP connection, shieldable, cable outlet 4 - 6 mm
 99 2010 702 04 - Female cable connector with cable clamp, CRIMP connection, shieldable, cable outlet 6 - 8 mm
 99 2014 702 05 - Female cable connector with cable clamp, CRIMP connection, shieldable, cable outlet 6 - 8 mm
 99 2022 702 06 - Female cable connector with cable clamp, CRIMP connection, shieldable, cable outlet 6 - 8 mm
 99 2026 702 07 - Female cable connector with cable clamp, CRIMP connection, shieldable, cable outlet 6 - 8 mm
 99 2062 702 08 - Female cable connector with cable clamp, CRIMP connection, shieldable, cable outlet 6 - 8 mm
 09 0311 700 04 - Male panel mount connector, crimp
 09 0315 700 05 - Male panel mount connector, crimp
 09 0323 700 06 - Male panel mount connector, crimp
 09 0327 700 07 - Male panel mount connector, crimp
 09 0473 700 08 - Male panel mount connector, crimp
 09 0311 780 04 - Male panel mount connector, crimp, screwed from front
 09 0315 780 05 - Male panel mount connector, crimp, screwed from front
 09 0323 780 06 - Male panel mount connector, crimp, screwed from front
 09 0327 780 07 - Male panel mount connector, crimp, screwed from front
 09 0473 780 08 - Male panel mount connector, crimp, screwed from front
 09 0312 700 04 - Female panel mount connector, crimp
 09 0316 700 05 - Female panel mount connector, crimp
 09 0324 700 06 - Female panel mount connector, crimp
 09 0328 700 07 - Female panel mount connector, crimp
 09 0474 700 08 - Female panel mount connector, crimp
 09 0312 780 04 - Female panel mount connector, crimp, screwed from front
 09 0316 780 05 - Female panel mount connector, crimp, screwed from front
 09 0324 780 06 - Female panel mount connector, crimp, screwed from front
 09 0328 780 07 - Female panel mount connector, crimp, screwed from front
 09 0474 780 08 - Female panel mount connector, crimp, screwed from front
 99 5671 750 08 - Male angled connector, CRIMP connection, shieldable, PG 9, cable outlet 6-8 mm, UL approval
 99 5672 700 08 - Female cable connector with cable clamp, CRIMP connection, shieldable, PG 9, cable outlet 6 - 8 mm
 99 5122 740 06 - Female cable connector, short version, CRIMP connection, cable outlet 4-8 mm
 09 0111 700 04 - Male panel mount connector, crimp
 09 0115 700 05 - Male panel mount connector, crimp
 09 0123 700 06 - Male panel mount connector, crimp
 09 0127 700 07 - Male panel mount connector, crimp
 09 0173 700 08 - Male panel mount connector, crimp
 09 0111 780 04 - Male panel mount connector, crimp, screwed from front
 09 0115 780 05 - Male panel mount connector, crimp, screwed from front
 09 0123 780 06 - Male panel mount connector, crimp, screwed from front
 09 0127 780 07 - Male panel mount connector, crimp, screwed from front
 09 0173 780 08 - Male panel mount connector, crimp, screwed from front
 09 0112 700 04 - Female panel mount connector, crimp

Product description	Male contact, set of 10,000, strip
Order number	65 0795 085 10

09 0116 700 05 - Female panel mount connector, crimp
09 0124 700 06 - Female panel mount connector, crimp
09 0128 700 07 - Female panel mount connector, crimp
09 0174 700 08 - Female panel mount connector, crimp
09 0112 780 04 - Female panel mount connector, crimp, screwed from front
09 0116 780 05 - Female panel mount connector, crimp, screwed from front
09 0124 780 06 - Female panel mount connector, crimp, screwed from front
09 0128 780 07 - Female panel mount connector, crimp, screwed from front
09 0174 780 08 - Female panel mount connector, crimp, screwed from front
99 0121 77 06 - Male angled connector, cable outlet 6-8 mm
99 6501 000 08 - Male cable connector
99 6517 000 12 - Male cable connector
99 6502 000 08 - Female cable connector
99 6518 000 12 - Female cable connector
09 6503 000 08 - Male panel mount connector
09 6519 000 12 - Male panel mount connector
09 6504 000 08 - Female panel mount connector
09 6520 000 12 - Female panel mount connector