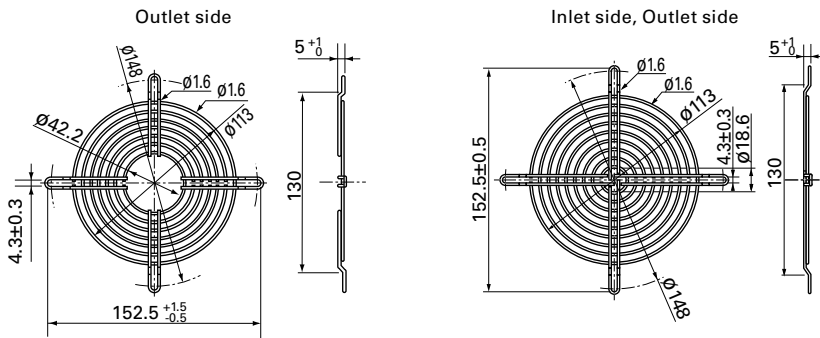


**120 mm sq. type**

Model no.	Surface treatment	Mass (g)	Model no.	Surface treatment	Mass (g)
109-019C	Nickel-chrome plating (silver)	32	109-019E	Nickel-chrome plating (silver)	42
109-019H	Cation electropainting (black)		109-019K	Cation electropainting (black)	



**Mounting example**

Axial fan

