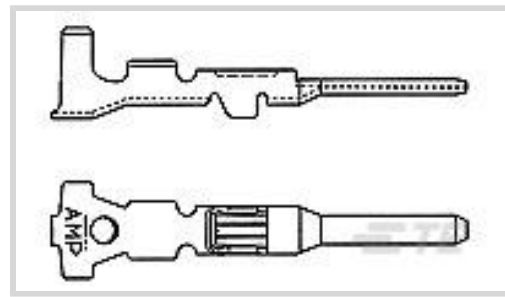




Terminals & Splices > Automotive Terminals > AMP SUPERSEAL 1.5MM, RECEPTACLE AND TAB



Terminal & Splice Type: **Tab**

Mating Tab Width: **1.5 mm [.059 in]**

Mating Tab Thickness: **.8 mm [.031 in]**

Terminal Transmits: **0 – 24 A (Low Power)**

Wire Size: **.75 – 1.5 mm²**

[All AMP SUPERSEAL 1.5MM, RECEPTACLE AND TAB \(16\)](#)

Features

Product Type Features

Sealable	Yes
Primary Locking Feature	Clean Body
Wire Type	Copper

Body Features

Seal Type	Single Wire Seal (SWS)
-----------	------------------------

Contact Features

Typical Current Rating	14 A
Crimp Type	F-Crimp
Terminal & Splice Type	Tab
Mating Tab Width	1.5 mm[.059 in]
Mating Tab Thickness	.8 mm[.031 in]
Interface Plating	Tin (Sn)
Contact Termination Area Plating Material	Tin (Sn)

Termination Features

Termination Method	Crimp
--------------------	-------

Dimensions

Wire Size	.75 – 1.5 mm ²
-----------	---------------------------



Wire Size Search	.75 mm ² , .85 mm ² , 1 mm ² , 1.25 mm ² , 1.3 mm ² , 1.5 mm ²
------------------	--

Wire Insulation Diameter	1.7 – 2.4 mm [.071 – .13 in]
--------------------------	------------------------------

Usage Conditions

Operating Temperature Range	-40 – 125 °C, -40 – 125 °C [-40 – 125 °F]
-----------------------------	---

Packaging Features

Packaging Method	Reel
------------------	------

Packaging Quantity	4000
--------------------	------

Other

Terminal Transmits	0 – 24 A (Low Power)
--------------------	----------------------

Product Compliance

[For compliance documentation, visit the product page on TE.com>](#)

EU RoHS Directive 2011/65/EU	Compliant
------------------------------	-----------

EU ELV Directive 2000/53/EC	Compliant
-----------------------------	-----------

China RoHS 2 Directive MIIT Order No 32, 2016	No Restricted Materials Above Threshold
---	---

EU REACH Regulation (EC) No. 1907/2006	Current ECHA Candidate List: JUN 2020 (209) Candidate List Declared Against: JUN 2020 (209) Does not contain REACH SVHC
--	---

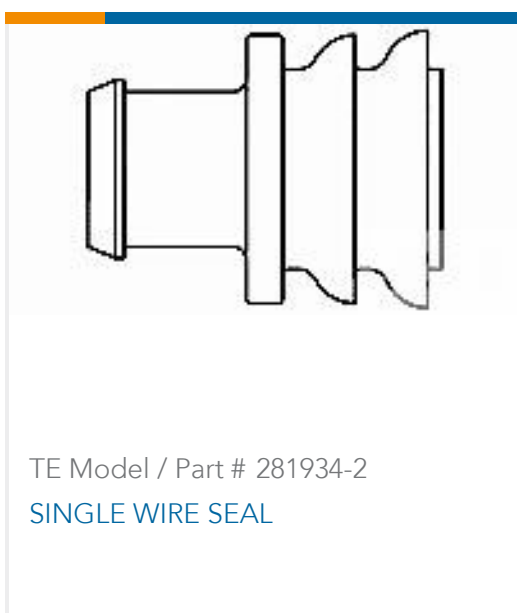
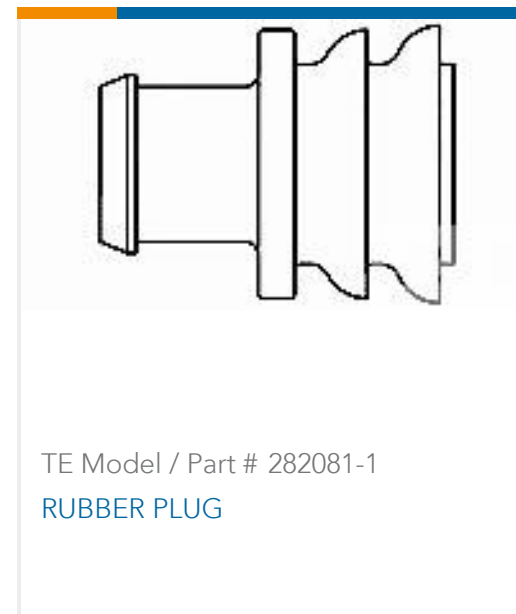
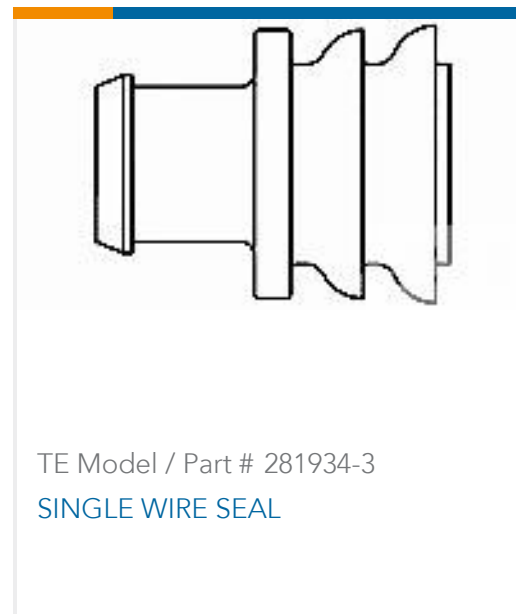
Halogen Content	Low Halogen - Br, Cl, F, I < 900 ppm per homogenous material. Also BFR/CFR/PVC Free
-----------------	---

Solder Process Capability	Not applicable for solder process capability
---------------------------	--

Product Compliance Disclaimer

This information is provided based on reasonable inquiry of our suppliers and represents our current actual knowledge based on the information they provided. This information is subject to change. The part numbers that TE has identified as EU RoHS compliant have a maximum concentration of 0.1% by weight in homogenous materials for lead, hexavalent chromium, mercury, PBB, PBDE, DBP, BBP, DEHP, DIBP, and 0.01% for cadmium, or qualify for an exemption to these limits as defined in the Annexes of Directive 2011/65/EU (RoHS2). Finished electrical and electronic equipment products will be CE marked as required by Directive 2011/65/EU. Components may not be CE marked. Additionally, the part numbers that TE has identified as EU ELV compliant have a maximum concentration of 0.1% by weight in homogenous materials for lead, hexavalent chromium, and mercury, and 0.01% for cadmium, or qualify for an exemption to these limits as defined in the Annexes of Directive 2000/53/EC (ELV). Regarding the REACH Regulation, the information TE provides on SVHC in articles for this part number is based on the latest European Chemicals Agency (ECHA) 'Guidance on requirements for substances in articles' posted at this URL: <https://echa.europa.eu/guidance-documents/guidance-on-reach>

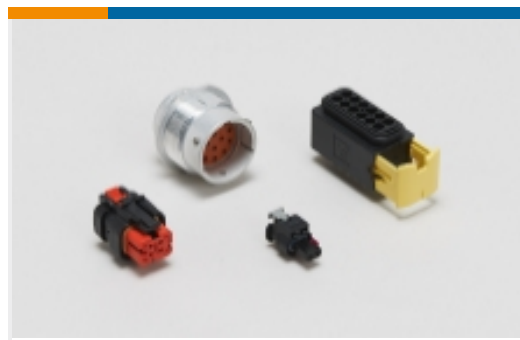
Compatible Parts



Also in the Series | **AMP Superseal 1.5mm Series**



Automotive Connector Caps & Covers (2)



Automotive Housings(26)



Automotive Seals & Cavity Plugs(4)



Automotive Terminals(16)



Other Automotive Connector Accessories(2)

Customers Also Bought



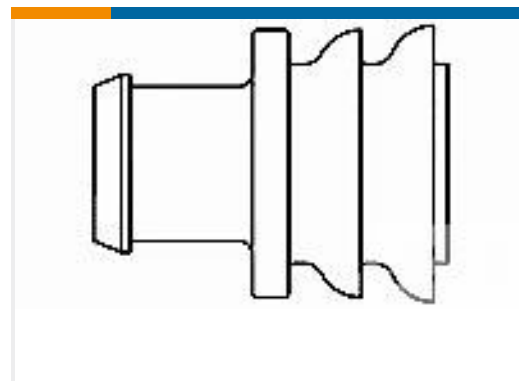
TE Model / Part #282105-1
AMP SUPERSEAL 1.5MM,
CONNECTOR HOUSING



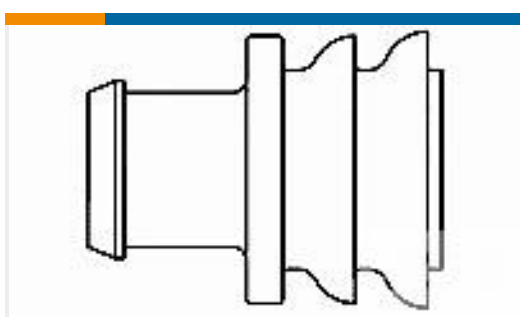
TE Model / Part #282404-1
AMP SUPERSEAL 1.5MM,
RECEPTACLE AND TAB



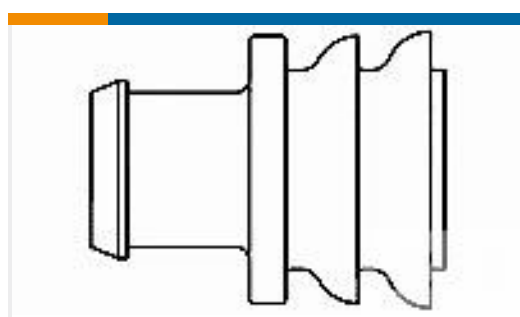
TE Model / Part #880810-1
COVER CAP , 2 WAY



TE Model / Part #282081-1
RUBBER PLUG



TE Model / Part #281934-2
SINGLE WIRE SEAL



TE Model / Part #281934-4
SINGLE WIRE SEAL

Documents

Product Drawings
MINI MIC TAB CONTACT

English

CAD Files

3D PDF

3D

Customer View Model

ENG_CVM_CVM_282109-1_E.2d_dxf.zip



English

Customer View Model

[ENG_CVM_CVM_282109-1_E.3d_igs.zip](#)

English

Customer View Model

[ENG_CVM_CVM_282109-1_E.3d_stp.zip](#)

English

By downloading the CAD file I accept and agree to the [Terms and Conditions](#) of use.

Datasheets & Catalog Pages

[AMP SUPERSEAL 1.5mm Connector System](#)

English

[ICT Terminals and Connectors Catalogue](#)

English

Product Specifications

[Application Specification](#)

English

Product Environmental Compliance

[MD_282109-1_06012018242_dmtec](#)

English

[MD_282109-1_06012018242_dmtec](#)

English

Instruction Sheets

[Hand application tool P/N 785353-1](#)

English

[Instruction Sheet \(non U.S.\)](#)

English