



Connectors > Automotive, Truck, Bus, & Off-Road Connectors > Seals & Cavity Plugs



Seal Type: **Single Wire Seal (SWS)**

Cavity Diameter: **5.2 mm [.205 in]**

Cable Insulation Diameter: **1.2 – 2.1 mm [.047 – .083 in]**

Material: **Silicone**

Resistance to Hydrocarbons: **Poor**

Features

Product Type Features

| | |
|-----------|------------------------|
| Seal Type | Single Wire Seal (SWS) |
|-----------|------------------------|

Body Features

| | |
|----------|----------|
| Material | Silicone |
| Color | Blue |

Dimensions

| | |
|---------------------------|------------------------------|
| Cavity Diameter | 5.2 mm[.205 in] |
| Cable Insulation Diameter | 1.2 – 2.1 mm[.047 – .083 in] |

Usage Conditions

| | |
|-----------------------------|----------------------------|
| Operating Temperature Range | -40 – 130 °C[-40 – 266 °F] |
|-----------------------------|----------------------------|

Industry Standards

| | |
|------------------------|------|
| UL Flammability Rating | None |
|------------------------|------|

Other

| | |
|----------------------------|------|
| Resistance to Hydrocarbons | Poor |
| Shore A Hardness | 50 |
| Lubricant Content | Yes |

Product Compliance

[For compliance documentation, visit the product page on TE.com>](#)

| | |
|------------------------------|-----------|
| EU RoHS Directive 2011/65/EU | Compliant |
|------------------------------|-----------|

| | |
|---|---|
| EU ELV Directive 2000/53/EC | Compliant |
| China RoHS 2 Directive MIIT Order No 32, 2016 | No Restricted Materials Above Threshold |
| EU REACH Regulation (EC) No. 1907/2006 | Current ECHA Candidate List: JUL 2019 (201) Candidate List Declared Against: JAN 2019 (197) Does not contain REACH SVHC |
| EU REACH Regulation (EC) No. 1907/2006 | Current ECHA Candidate List: JUL 2019 (201) Candidate List Declared Against: JAN 2019 (197) |
| Halogen Content | Low Halogen - Br, Cl, F, I < 900 ppm per homogenous material. Also BFR/CFR/PVC Free |
| Solder Process Capability | Not applicable for solder process capability |

Product Compliance Disclaimer

This information is provided based on reasonable inquiry of our suppliers and represents our current actual knowledge based on the information they provided. This information is subject to change. The part numbers that TE has identified as EU RoHS compliant have a maximum concentration of 0.1% by weight in homogenous materials for lead, hexavalent chromium, mercury, PBB, PBDE, DBP, BBP, DEHP, DIBP, and 0.01% for cadmium, or qualify for an exemption to these limits as defined in the Annexes of Directive 2011/65/EU (RoHS2). Finished electrical and electronic equipment products will be CE marked as required by Directive 2011/65/EU. Components may not be CE marked. Additionally, the part numbers that TE has identified as EU ELV compliant have a maximum concentration of 0.1% by weight in homogenous materials for lead, hexavalent chromium, and mercury, and 0.01% for cadmium, or qualify for an exemption to these limits as defined in the Annexes of Directive 2000/53/EC (ELV). Regarding the REACH Regulations, TE's information on SVHC in articles for this part number is still based on the European Chemical Agency (ECHA) 'Guidance on requirements for substances in articles' (Version: 2, April 2011), applying the 0.1% weight on weight concentration threshold at the finished product level. TE is aware of the European Court of Justice ruling of September 10th, 2015 also known as O5A (Once An Article Always An Article) stating that, in case of 'complex object', the threshold for a SVHC must be applied to both the product as a whole and simultaneously to each of the articles forming part of its composition. TE has evaluated this ruling based on the new ECHA "Guidance on requirements for substances in articles" (June 2017, version 4.0) and will be updating its statements accordingly.

Compatible Parts





TE Model / Part # CAT-AM706-T273
AMP MCP, SFC, RECEPTACLE



TE Model / Part # CAT-M4595-T273
MCON, RECEPTACLE AND TAB



TE Model / Part # CAT-M8793-CH8172
MQS, CONNECTOR HOUSING



TE Model / Part # CAT-M4595-CH8172
MCON, CONNECTOR HOUSING



TE Model / Part # 1480968-1
ASSY 4 POSN. 2.8MM REC.



TE Model / Part # 1480971-1
ASSY 6 POSN. 2.8MM REC.



TE Model / Part # 1599099-1
HSG ASSY 2 POSN,2.8mm REC



TE Model / Part # 1897017-3
2.8MM SLD 2P PLUG ASSY (INJ CONN'R)



TE Model / Part # 2050049-2
3POS 2.8MM SENSOR PLUG ASSY



TE Model / Part # 936462-1
2.8MM SLD 2P CAP HSG NAT

Also in the Series | **Junior Power Timer**



Automotive Connector Caps & Covers(7)



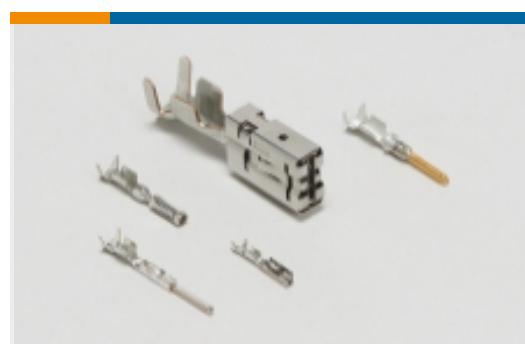
Automotive Seals & Cavity Plugs(11)



Automotive, Truck, Bus, & Off-Road Headers(4)



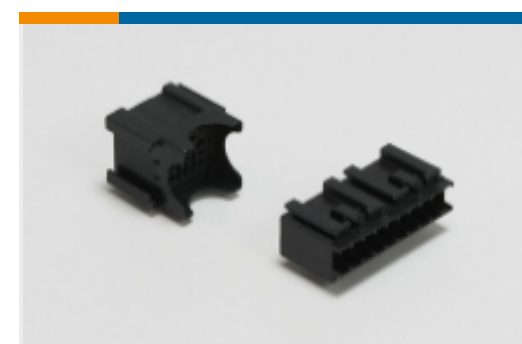
Automotive, Truck, Bus, & Off-Road Housings(264)



Automotive, Truck, Bus, & Off-Road Terminals(88)



Busbars & Terminals(1)

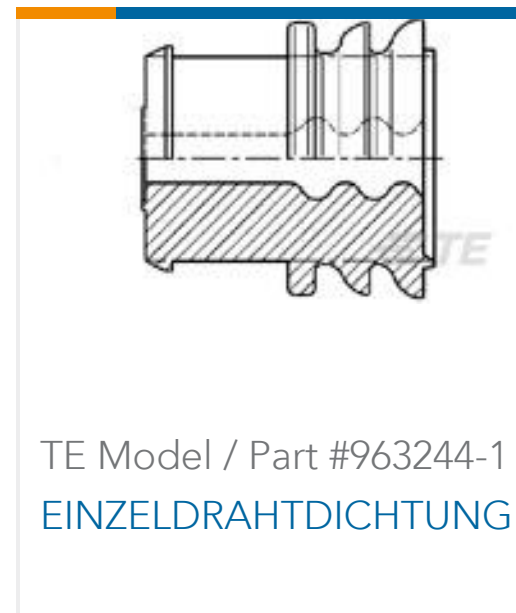
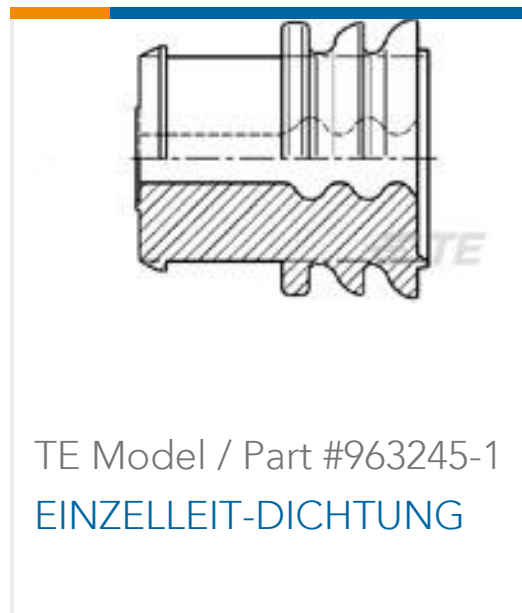


Module Component(9)



Other Automotive Connector Accessories(1)

Customers Also Bought



Documents

Product Drawings

[SINGLE WIRE SEAL FOR J.P.T.CON](#)

English

CAD Files

Customer View Model

[ENG_CVM_CVM_828904-2_M.2d_dxf.zip](#)

English

[3D PDF](#)

3D

Customer View Model

[ENG_CVM_CVM_828904-2_M.3d_igs.zip](#)

English

Customer View Model

[ENG_CVM_CVM_828904-2_M.3d_stp.zip](#)

English

Datasheets & Catalog Pages

[MCON Interconnection System](#)

English

[HDSCS Catalog](#)

English

[CONNECTOR SELECTOR](#)

English

Product Environmental Compliance

[TE Material Declaration](#)

English