

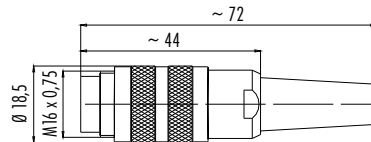


- Screw termination M16
- Degree of protection IP40
- Solder-/Crimp-/Screw clamp termination
- Diameter 17,2 mm/17,5mm/18,5 mm/20 mm
- Shieldable versions
- Acc. to DIN EN 61076-2-106

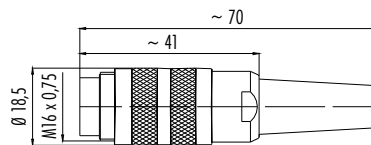
### Description

### Drawing

Male cable connector with solder eye ring, shieldable



Male cable connector with cable clamp, shieldable



Male cable connector with cable clamp, screw clamp connection, shieldable



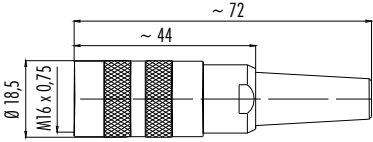
Male cable connector with cable clamp, crimp connection, shieldable

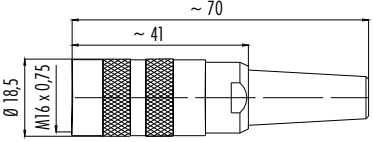


Crimp and strip contacts see page 47

### Specifications

Contacts	3 DIN	4	5	6 DIN	7	8 DIN	12	19
Wire gauge	max. 0,75 mm <sup>2</sup> (max. AWG 20)						max. 0,25 mm <sup>2</sup> (max. AWG 24)	
Mechanical operation	> 500 Mating cycles							
Temperature range	- 40 °C / + 85 °C							
Rated voltage	250 V (32 V)			125 V (32 V)		60 V (32 V)		
Pollution degree	1 (2) <sup>1)</sup>							
Rated current (40°C)	7 A	6 A		5 A			3 A	
Contact plating	Ag (Silver)						Au (Gold)	
Material of housing	CuZn (brass, nickel plated)							

Description	Drawing	Contacts	Cable outlet 4–6 mm	Cable outlet 6–8 mm
Female cable connector with solder eye ring, shieldable		3 DIN	99 2006 00 03	99 2006 02 03
		4	99 2010 00 04	99 2010 02 04
		5	99 2014 00 05	99 2014 02 05
		6 DIN	99 2022 00 06	99 2022 02 06
		7	99 2026 00 07	99 2026 02 07
		8 DIN	99 2062 00 08	99 2062 02 08
		12	99 2030 00 12	99 2030 02 12
		19	99 2042 00 19	99 2042 02 19

Female cable connector with cable clamp, shieldable		3 DIN	99 2006 10 03	99 2006 20 03
		4	99 2010 10 04	99 2010 20 04
		5	99 2014 10 05	99 2014 20 05
		6 DIN	99 2022 10 06	99 2022 20 06
		7	99 2026 10 07	99 2026 20 07
		8 DIN	99 2062 10 08	99 2062 20 08
		12	99 2030 10 12	99 2030 20 12
		19	99 2042 10 19	99 2042 20 19

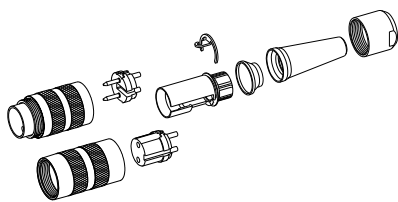
Female cable connector with cable clamp, screw clamp connection, shieldable		3 DIN	99 2006 210 03	99 2006 220 03
		4	99 2010 210 04	99 2010 220 04
		5	99 2014 210 05	99 2014 220 05

Female cable connector with cable clamp, crimp connection, shieldable		4	99 2010 700 04	99 2010 702 04
		5	99 2014 700 05	99 2014 702 05
		6 DIN	99 2022 700 06	99 2022 702 06
		7	99 2026 700 07	99 2026 702 07
		8 DIN	99 2062 700 08	99 2062 702 08

Crimp and strip contacts see page 47

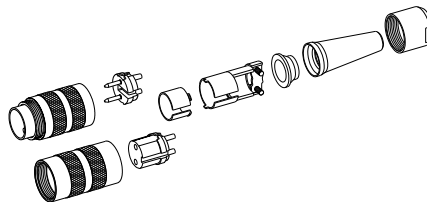
### Component part drawing

Cable connectors with solder eye ring



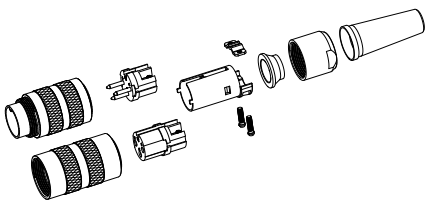
Male ring nut/  
Female ring nut  
Female insert/  
Male insert  
Cable clamp  
Solder eye ring  
Thrust collar  
Cable bushing  
Pressing screw

Cable connectors with cable clamp



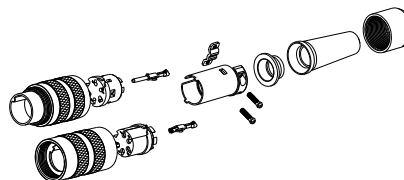
Male ring nut/  
Female ring nut  
Female insert/  
Male insert  
Cable clamp  
Thrust collar  
Cable bushing  
Pressing screw

Cable connectors with screw clamp connection



Male ring nut/  
Female ring nut  
Female insert/  
Male insert  
Cable clamp  
Thrust collar  
Pressing screw  
Cable bushing

Cable connectors with crimp connection



Male ring nut/  
Female ring nut  
Female insert/  
Male insert  
Female contact/  
Male contact  
Cable clamp  
Thrust collar  
Cable bushing  
Pressing screw

Description	Drawing	Contacts	Cable outlet	Ordering-No.
Male cable connector		3 DIN	4-6 mm	09 0305 00 03
		4		09 0309 00 04
		5		09 0313 00 05
		6 DIN		09 0321 00 06
		7		09 0325 00 07
		8 DIN		09 0571 00 08
		12		09 0329 00 12
		19		09 0343 00 19

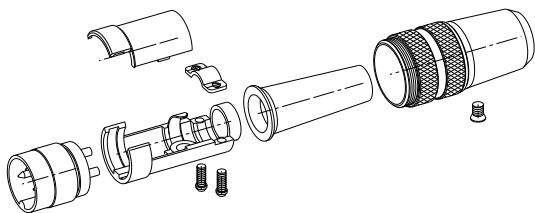
Male cable connector		3 DIN	6-8 mm	09 0305 02 03
		4		09 0309 02 04
		5		09 0313 02 05
		6 DIN		09 0321 02 06
		7		09 0325 02 07
		8 DIN		09 0571 02 08
		12		09 0329 02 12
		19		09 0343 02 19

Male angled connector, plastic version		Contacts	Cable outlet 4-6 mm	Cable outlet 6-8 mm
		3 DIN	09 0135 70 03	09 0135 72 03
		4	09 0137 70 04	09 0137 72 04
		5	09 0139 70 05	09 0139 72 05
		6 DIN	09 0143 70 06	09 0143 72 06
		7	09 0145 70 07	09 0145 72 07
		8 DIN	09 0153 70 08	09 0153 72 08
		12	09 0147 70 12	09 0147 72 12
		19	09 0163 70 19	09 0163 72 19

Male angled connector, metal version, shieldable		3 DIN	99 0135 10 03	99 0135 12 03
		4	99 0137 10 04	99 0137 12 04
		5	99 0139 10 05	99 0139 12 05
		6 DIN	99 0143 10 06	99 0143 12 06
		7	99 0145 10 07	99 0145 12 07
		8 DIN	99 0153 10 08	99 0153 12 08
		12	99 0147 10 12	99 0147 12 12
		19	99 0163 10 19	99 0163 12 19

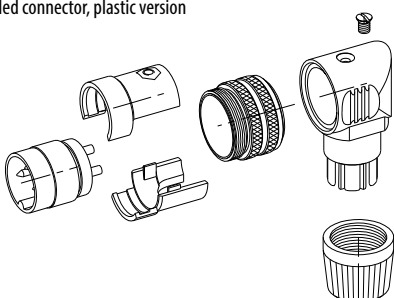
### Component part drawing

Male cable connector



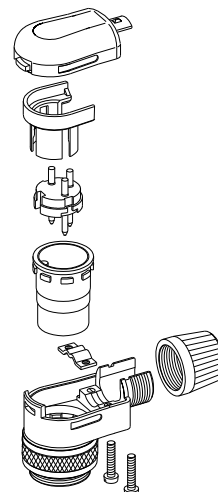
- Male insert
- Carrier sleeve
- Cover
- Fillister head screw
- Strap
- Cable bushing
- Sleeve with coupling ring
- Countersunk head screw

Male angled connector, plastic version



- Male insert
- Carrier sleeve
- Male ring nut
- Angled housing
- Countersunk screw
- Pressing screw
- Cable outlet not adjustable

Male angled connector, metal version



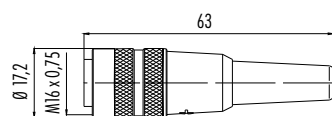
- Male ring nut
- Housing
- Fillister head screw
- Strap
- Pressing screw
- Torsional sleeve
- Male insert
- Distance sleeve
- Cover
- Cable outlet adjustable in 4 positions

## Description

Female cable connector



## Drawing



## Contacts

3 DIN  
4  
5  
6 DIN  
7  
8 DIN  
12  
19

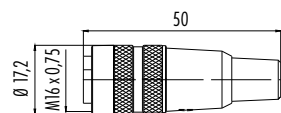
## Cable outlet

4–6 mm

## Ordering-No.

09 0306 00 03  
09 0310 00 04  
09 0314 00 05  
09 0322 00 06  
09 0326 00 07  
09 0572 00 08  
09 0330 00 12  
09 0344 00 19

Female cable connector

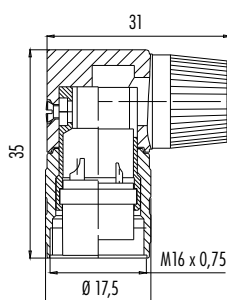


3 DIN  
4  
5  
6 DIN  
7  
8 DIN  
12  
19

6–8 mm

09 0306 02 03  
09 0310 02 04  
09 0314 02 05  
09 0322 02 06  
09 0326 02 07  
09 0572 02 08  
09 0330 02 12  
09 0344 02 19

Female angled connector, plastic version



## Contacts

3 DIN  
4  
5  
6 DIN  
7  
8 DIN  
12  
19

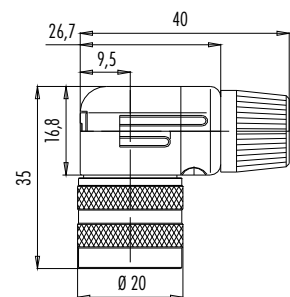
## Cable outlet 4–6 mm

09 0136 70 03  
09 0138 70 04  
09 0140 70 05  
09 0144 70 06  
09 0146 70 07  
09 0154 70 08  
09 0148 70 12  
09 0166 70 19

## Cable outlet 6–8 mm

09 0136 72 03  
09 0138 72 04  
09 0140 72 05  
09 0144 72 06  
09 0146 72 07  
09 0154 72 08  
09 0148 72 12  
09 0164 72 19

Female angled connector, metal version, shieldable



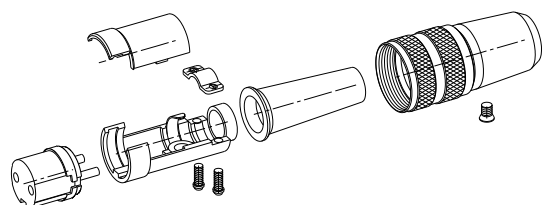
3 DIN  
4  
5  
6 DIN  
7  
8 DIN  
12  
19

99 0136 10 03  
99 0138 10 04  
99 0140 10 05  
99 0144 10 06  
99 0146 10 07  
99 0154 10 08  
99 0148 10 12  
99 0164 10 19

99 0136 12 03  
99 0138 12 04  
99 0140 12 05  
99 0144 12 06  
99 0146 12 07  
99 0154 12 08  
99 0148 12 12  
99 0164 12 19

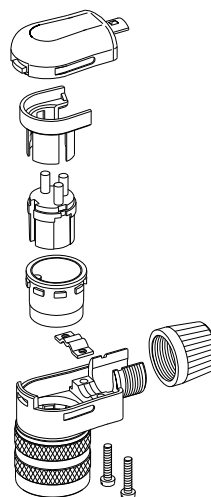
## Component part drawing

Female cable connector



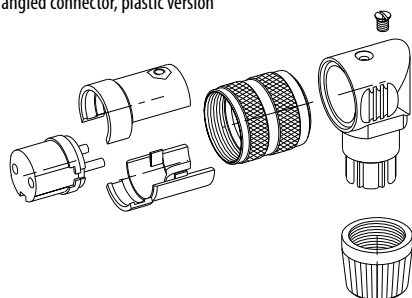
- Female insert
- Carrier sleeve
- Cover
- Fillister head screw
- Strap
- Cable bushing
- Sleeve with coupling ring
- Countersunk head screw

Female angled connector, metal version



- Female ring nut
- Housing
- Fillister head screw
- Strap
- Pressing screw
- Torsional sleeve
- Female insert
- Distance sleeve
- Cover
- Cable outlet adjustable in 4 positions

Female angled connector, plastic version

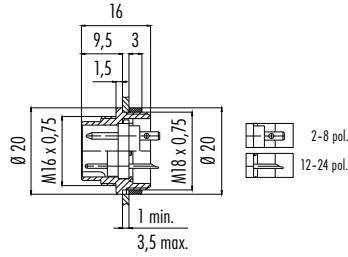


- Female insert
- Carrier sleeve
- Female ring nut
- Angled housing
- Countersunk screw
- Pressing screw
- Cable outlet not adjustable

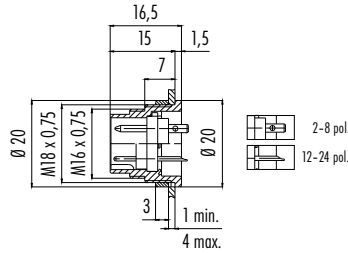
**Description**

**Drawing**

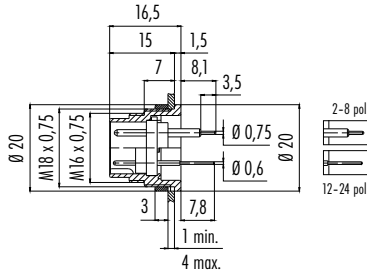
Male panel mount connector, solder/with single wires (200 mm), AWG 22



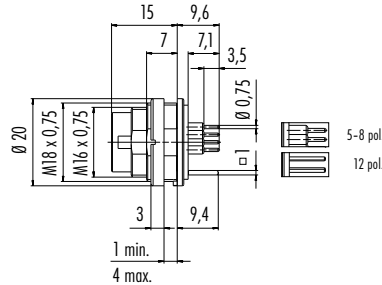
Male panel mount connector, solder, front fastened/with single wires (200 mm), AWG 22



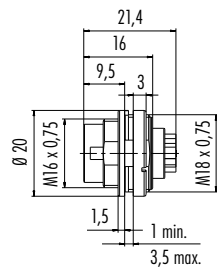
Male panel mount connector, dip-solder, front fastened



Male panel mount connector, dip-solder, front fastened, with shield connection

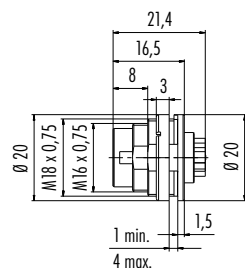


Male panel mount connector, crimp



Crimp and strip contacts see page 47

Male panel mount connector, crimp, front fastened



Crimp and strip contacts see page 47

**Contacts**

**Male panel mount connector solder**

**Male panel mount connector with single wires**

3 DIN	09 0307 00 03	-
4	09 0311 00 04	09 0311 702 04
5	09 0315 00 05	09 0315 702 05
6 DIN	09 0323 00 06	09 0323 702 06
7	09 0327 00 07	09 0327 702 07
8 DIN	09 0473 00 08	09 0473 702 08
12	09 0331 00 12	-
19	09 0335 00 19	-

**NEW**

3 DIN	09 0307 80 03	-
4	09 0311 80 04	09 0311 782 04
5	09 0315 80 05	09 0315 782 05
6 DIN	09 0323 80 06	09 0323 782 06
7	09 0327 80 07	09 0327 782 07
8 DIN	09 0473 80 08	09 0473 782 08
12	09 0331 80 12	-
19	09 0335 80 19	-

**NEW**

3 DIN	09 0307 90 03	-
4	09 0311 90 04	-
5	09 0315 90 05	-
6 DIN	09 0323 90 06	-
7	09 0327 90 07	-
8 DIN	09 0473 90 08	-
12	09 0331 90 12	-
19	09 0335 90 19	-

5	09 0315 290 05	-
6 DIN	09 0323 290 06	-
8 DIN	09 0473 290 08	-
12	09 0331 290 12	-

4	09 0311 700 04	-
5	09 0315 700 05	-
6 DIN	09 0323 700 06	-
7	09 0327 700 07	-
8 DIN	09 0473 700 08	-

4	09 0311 780 04	-
5	09 0315 780 05	-
6 DIN	09 0323 780 06	-
7	09 0327 780 07	-
8 DIN	09 0473 780 08	-

**Description**

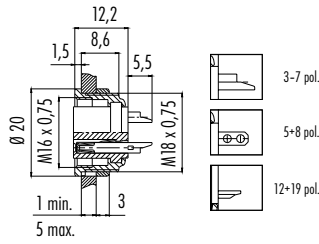
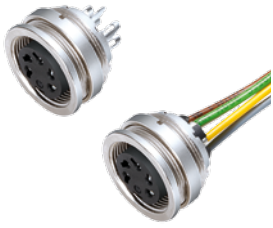
**Drawing**

**Contacts**

**Female panel mount connector solder**

**Female panel mount connector with single wires**

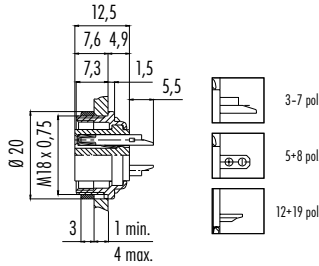
Female panel mount connector, solder/with single wires (200 mm), AWG 22



3 DIN	09 0308 00 03	-
4	09 0312 00 04	09 0312 702 04
5	09 0316 00 05	09 0316 702 05
6 DIN	09 0324 00 06	09 0324 702 06
7	09 0328 00 07	09 0328 702 07
8 DIN	09 0474 00 08	09 0474 702 08
12	09 0332 00 12	-
19	09 0336 00 19	-

**NEW**

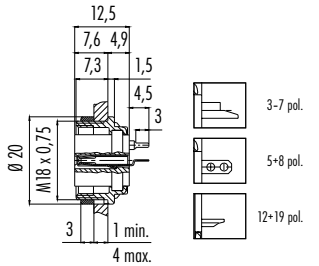
Female panel mount connector, solder, front fastened/with single wires (200 mm), AWG 22



3 DIN	09 0308 80 03	-
4	09 0312 80 04	09 0312 782 04
5	09 0316 80 05	09 0316 782 05
6 DIN	09 0324 80 06	09 0324 782 06
7	09 0328 80 07	09 0328 782 07
8 DIN	09 0474 80 08	09 0474 782 08
12	09 0332 80 12	-
19	09 0336 80 19	-

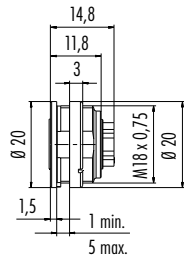
**NEW**

Female panel mount connector, dip-solder, front fastened



3 DIN	09 0308 90 03	
4	09 0312 90 04	
5	09 0316 90 05	
6 DIN	09 0324 90 06	
7	09 0328 90 07	
8 DIN	09 0474 90 08	
12	09 0332 90 12	
19	09 0336 90 19	

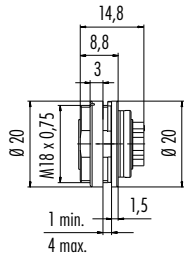
Female panel mount connector, crimp



4	09 0312 700 04	
5	09 0316 700 05	
6 DIN	09 0324 700 06	
7	09 0328 700 07	
8 DIN	09 0474 700 08	

Crimp and strip contacts see page 47

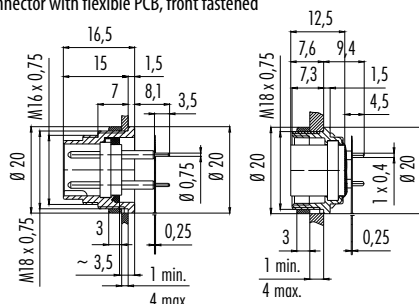
Female panel mount connector, crimp, front fastened



4	09 0312 780 04	
5	09 0316 780 05	
6 DIN	09 0324 780 06	
7	09 0328 780 07	
8 DIN	09 0474 780 08	

Crimp and strip contacts see page 47

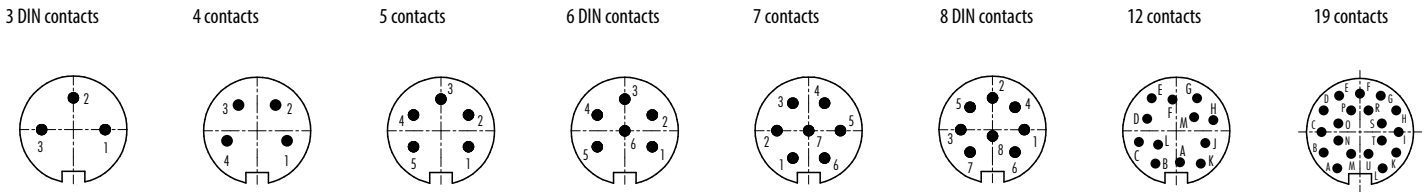
Male panel mount connector/Female panel mount connector with flexible PCB, front fastened



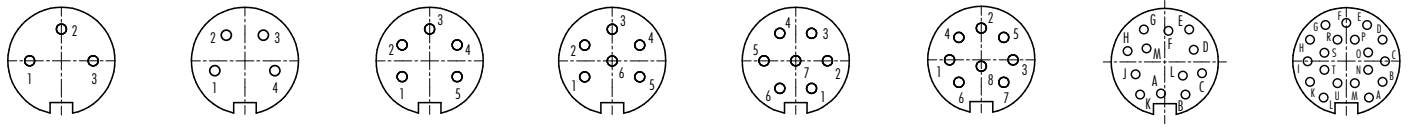
	<b>Male panel mount connector</b>	<b>Female panel mount connector</b>
7	09 0327 65 07	09 0328 65 07
8 DIN	09 0473 65 08	09 0474 65 08
12	09 0331 65 12	09 0332 65 12
	09 0331 66 12	09 0332 66 12



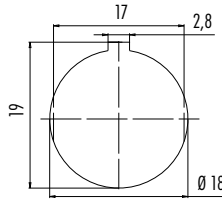
### Contact arrangements male insert (mating side)



### Contact arrangements female insert (mating side)



### Panel cut out



Recommended drill holes  
 2 – 8 contacts 1,1 mm  
 12 – 24 contacts 0,8 mm

### Colour of wires of panel mount connectors

- 4–8 contacts
- 1 white
- 2 brown
- 3 green
- 4 yellow
- 5 grey
- 6 pink
- 7 blue
- 8 red

### Description

### Drawing

Male contact, PU 50 pieces



Female contact, PU 50 pieces



Strip contact (Male)


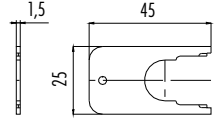

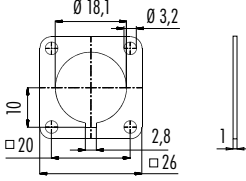

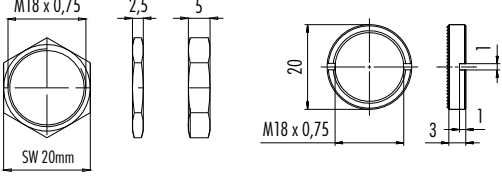

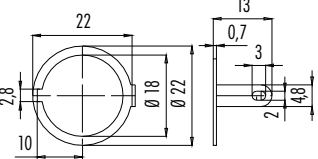

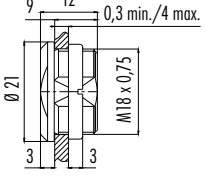

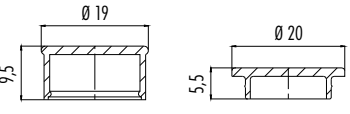

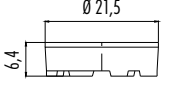

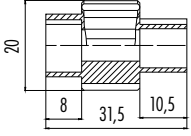





Contact-Ø	Insulating-Ø	Wire gauge	PU	Pieces	Ordering-No.
1,5 mm	1,0–2,0 mm	0,14–0,25 mm <sup>2</sup>	Single	50	61 0799 085 00
			Strip	200	65 0799 085 01
	1,6–2,1 mm	0,35–0,5 mm <sup>2</sup>	Strip	2000	65 0799 085 02
			Single	50	61 0795 085 00
		0,75–1,0 mm <sup>2</sup>	Strip	200	65 0795 085 01
			Strip	2000	65 0795 085 02

Strip contact (Female)



1,5 mm	1,0–2,0 mm	0,14–0,25 mm <sup>2</sup>	Single	50	61 0800 085 00
			Strip	200	65 0800 085 01
	1,6–2,1 mm	0,35–0,5 mm <sup>2</sup>	Strip	2000	65 0800 085 02
			Single	50	61 0797 085 00
		0,75–1,0 mm <sup>2</sup>	Strip	200	65 0797 085 01
			Strip	2000	65 0797 085 02

Description	Drawing	Ordering-No.
Mounting spanner for panel mount connectors 		07 0010 001
Rectangular flange for panel mount connectors 		04 0106 001  <b>Thickness</b> <b>Ordering-No.</b> 2,5 mm            01 0146 001    Hexagonal nut 5 mm              01 5006 001    Hexagonal nut -                    01 0010 001    Ring nut with knurled screw
Hexagonal nut/Ring nut for fixing thread 		<b>Ordering-No.</b> 04 0183 009
Solder eye ring 		<b>Höhe</b> <b>Ordering-No.</b> 12 mm            08 2668 000 001
Blind plug 		12 mm            08 2668 000 001
Protection cap for panel mount connectors, IP40 		9,5 mm            02 0054 000 5,5 mm            02 0055 001 02 0055 000    black
Distance sleeve for panel mount connectors, dip-solder version 	 <p>PCB thickness: max. 1,5 mm</p>	02 0007 000
Mounting spanner for straight, shieldable cable connectors 		02 1785 000
Crimping tool for single contacts 	Crimping tool for strip contacts 	66 0001 014 100 67 0001 014 100
Extraction tool for crimp contacts 		07 0088 000